

## D7155 D7156

### Desktop Discussion & Voting Chairman / Delegate Unit



#### Description

The D7155/D7156 Desktop Discussion & Voting Chairman / Delegate Unit is an integrated digital conference terminal that combines discussion, sign-in, voting, and service request functions. It features a high-sensitivity cardioid condenser microphone and a 4-inch touch display for real-time status indication and intuitive operation. With strong anti-interference capability and clear, stable audio performance, the unit supports headphone monitoring, automatic gain control (AGC), and 12-band EQ adjustment. The chairman unit also provides conference control and voting initiation functions, making it ideal for government, corporate, and multi-purpose conference applications.

#### Features

- Integrates multiple conference functions in one unit, including discussion, sign-in, voting, rating, messaging, and service requests.
- Comes with dedicated high-density cables, featuring one RJ45 plug and one RJ45 socket for daisy-chain connection between units.
- Features an integrated square-column microphone stem with cardioid electret condenser microphone and dual-color indicator ring (red/green).
- Excellent resistance to mobile phone interference.
- Equipped with 4-inch square capacitive touch display for real-time status indication.
- 3.5 mm stereo headphone jack for monitoring other units and selecting interpretation channels.
- Independent adjustment of microphone volume and headphone monitoring volume, with support for 12-band EQ.
- Supports microphone noise reduction and automatic gain control (AGC).
- Supports main/backup switching: automatically switches to the backup unit if the main unit fails, enhancing system reliability.
- Built-in central control function for controlling external devices such as power, lighting, air conditioning,

volume, curtains, and projectors.

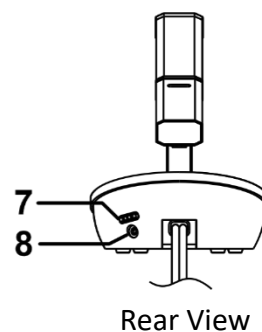
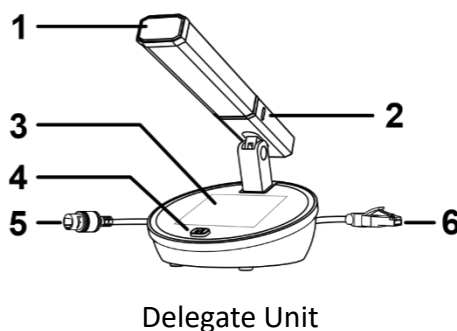
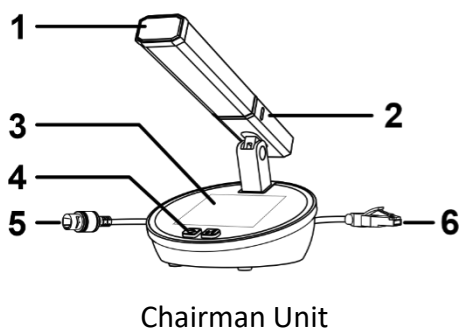
- Each conference unit has a unique ID number.
- Built-in 3 UI themes with bilingual display support (Chinese/English).
- Supports service requests such as pen, paper, staff assistance, tea, and coffee.
- Supports camera auto-tracking when used with a conference host or control software.
- Self-test function when connected to control host, including testing of buttons, microphones, LED indicators, and LCD screen.
- Passive device powered by system host or PoE switch, with input voltage of +48V.
- Chairman unit supports priority function and podium mode via host settings.
- Chairman unit can initiate voting and approve delegate speaking requests.
- Chairman unit can be activated freely without limitation on the number of active microphones and has full control over conference order.
- Chairman unit connection position is unrestricted.

## Specifications

Model		D7155/D7156
Structure Type		Desktop
Effective Frequency	Unit A to Unit B	80Hz–12kHz
Range with Gain	Host Line to Unit	80Hz–16kHz
Limit ( $\pm 3$ dB)	Unit to Host Line Output	80Hz–16kHz
Static Power Consumption		<3W
Maximum Power Consumption		<4W
Signal-to-Noise Ratio		>75dB (A-weighted)
Harmonic Distortion		<0.3%
Headphone Output		9dBu, 8–32 $\Omega$ , 3.5mm
Operating Power		Host +48V or +48V PoE
Unit Interface		Network Interface
Microphone Type		Cardioid electret condenser
Microphone	Input Sensitivity	-42 $\pm$ 2 dBV/Pa
	Frequency Response	50Hz–20kHz
	Maximum SPL	125dB
Product Dimensions (L×W×H)		142×139×65mm
Product Weight		0.95kg

## Front / Rear Panel

### Button and Indicator Functions



1. Microphone stem
2. Microphone indicator, Red: speaking; Green: request to speak.
3. 4-inch capacitive touch screen
4. Buttons with indicators. Delegate units have the microphone on/off button only.

Chairman Priority  
Button



Microphone  
On/Off Button

5. RJ45 network socket, cable length: 1.5 m
6. RJ45 network plug, cable length: 2 m
7. Volume adjustment buttons. Long press the “◀” button to enter headphone volume adjustment mode. In this mode, short press the “◀” or “▶” button to adjust the volume level. Long press the “▶” button to enter microphone volume adjustment mode. In this mode, short press the “◀” or “▶” button to adjust the volume level.
8. 3.5mm headphone jack