

D7157 D7158

Desktop Discussion Chairman / Delegate Unit



Description

The D7157/D7158 Desktop Discussion Chairman / Delegate Unit is a high-performance digital conference terminal designed for discussion and sign-in functions. Equipped with a cardioid condenser microphone, it delivers excellent sound pickup and strong resistance to interference, ensuring clear and stable audio transmission. The unit supports headphone monitoring, independent volume control, and software-based EQ adjustment, along with system self-test and main/backup switching functions. The chairman unit provides priority control and speaking management, making it suitable for various mid-to-high-end conference applications.

Features

- Integrates multiple conference functions in one unit, including discussion and sign-in.
- Comes with dedicated high-density cables, featuring one RJ45 plug and one RJ45 socket for daisy-chain connection between units.
- Features an integrated square-column microphone stem with cardioid electret condenser microphone and dual-color indicator ring (red/green).
- Excellent resistance to mobile phone interference.
- 3.5 mm stereo headphone jack for monitoring other units.
- Independent adjustment of microphone volume and headphone monitoring volume, with support for 12-band EQ via control software.
- Supports microphone noise reduction and automatic gain control (AGC), configurable through control software.
- Supports main/backup switching: automatically switches to the backup unit if the main unit fails, enhancing system reliability.
- Each conference unit has a unique ID number.
- Supports camera auto-tracking when used with a conference host or control software.

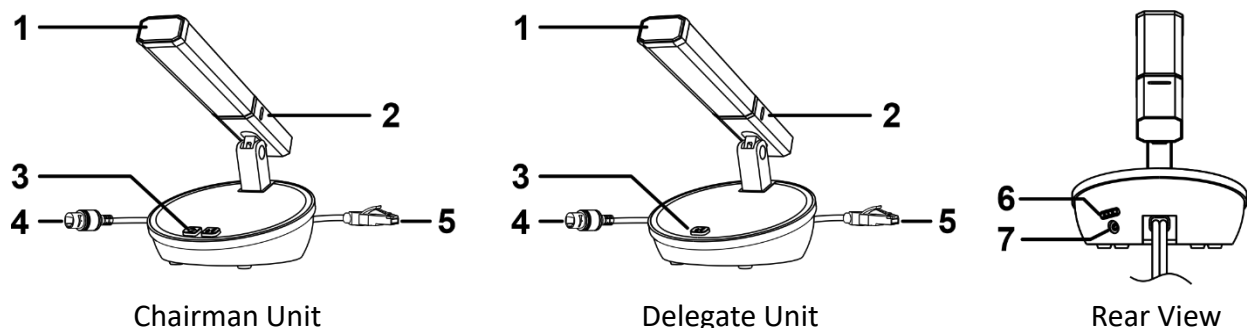
- Self-test function when connected to control host, including testing of buttons, microphones, and LED indicators.
- Passive device powered by system host or PoE switch, with input voltage of +48V.
- Chairman unit supports priority function and podium mode via host settings.
- Chairman unit can approve delegate speaking requests.
- Chairman unit can be activated freely without limitation on the number of active microphones and has full control over conference order.
- Chairman unit connection position is unrestricted.

Specifications

Model		D7157/D7158
Structure Type		Desktop
Effective Frequency	Unit A to Unit B	80Hz–12kHz
Range with Gain	Host Line to Unit	80Hz–16kHz
Limit (± 3 dB)	Unit to Host Line Output	80Hz–16kHz
Static Power Consumption		<2W
Maximum Power Consumption		<2W
Harmonic Distortion		<0.3%
Headphone Output		9dBu, 8–32 Ω , 3.5mm
Operating Power		Host +48V or +48V PoE
Unit Interface		Network Interface
Microphone	Microphone Type	Cardioid electret condenser
	Input Sensitivity	-42 \pm 2 dBV/Pa
	Frequency Response	50Hz–20KHz
	Maximum SPL	125dB
Product Dimensions (L×W×H)		142×139×65mm
Product Weight		0.9kg

Front / Rear Panel

Button and Indicator Functions



1. Microphone stem
2. Microphone indicator, Red: speaking; Green: request to speak.
3. Buttons with indicators. Delegate units have the microphone on/off button only.

Chairman Priority
Button



Microphone
On/Off Button

4. RJ45 network socket, cable length: 1.5 m

5. RJ45 network plug, cable length: 2 m

6. Volume adjustment buttons. Long press the “◀” button to enter headphone volume adjustment mode. In this mode, short press the “◀” or “▶” button to adjust the volume level. Long press the “▶” button to enter microphone volume adjustment mode. In this mode, short press the “◀” or “▶” button to adjust the volume level.

7. 3.5mm headphone jack